

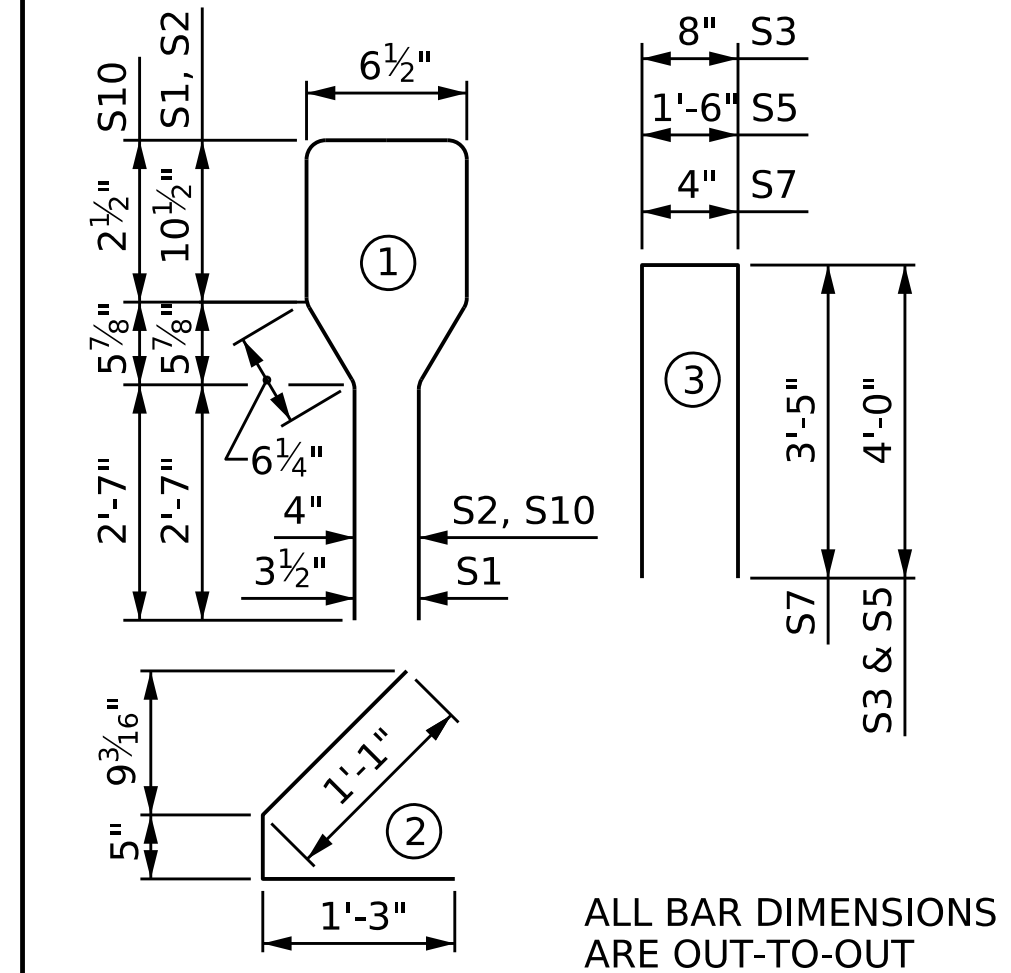
0.6" Ø L.R. GRADE 270 STRANDS

AREA (SQ. INCHES)	ULTIMATE STRENGTH (LBS. PER STRAND)	APPLIED PRESTRESS (LBS. PER STRAND)
0.217	58,600	43,950

REINFORCING STEEL FOR ONE GIRDER

BAR	NUMBER	SIZE	TYPE	LENGTH	WEIGHT
S1		#4	1	8'-6"	
S2	6	#6	1	8'-6"	77
S3	4	#4	3	8'-8"	23
S4	56	#4	2	2'-9"	103
S5	2	#4	3	9'-6"	13
S7		#5	3	7'-2"	
S8		#4	STR	7'-0"	
S		#4	STR		
S10		#6	1	7'-2"	

BAR TYPES



ALL BAR DIMENSIONS ARE OUT-TO-OUT

QUANTITIES FOR ONE GIRDER

	REINFORCING STEEL	PSI CONCRETE	0.6" Ø L.R. STRANDS
	LB.	C.Y.	No.
EXT. GIRDER			
INT. GIRDER			

GIRDERS REQUIRED

NUMBER	LENGTH	TOTAL LENGTH

PROJECT NO. _____

_____ COUNTY

STATION: _____

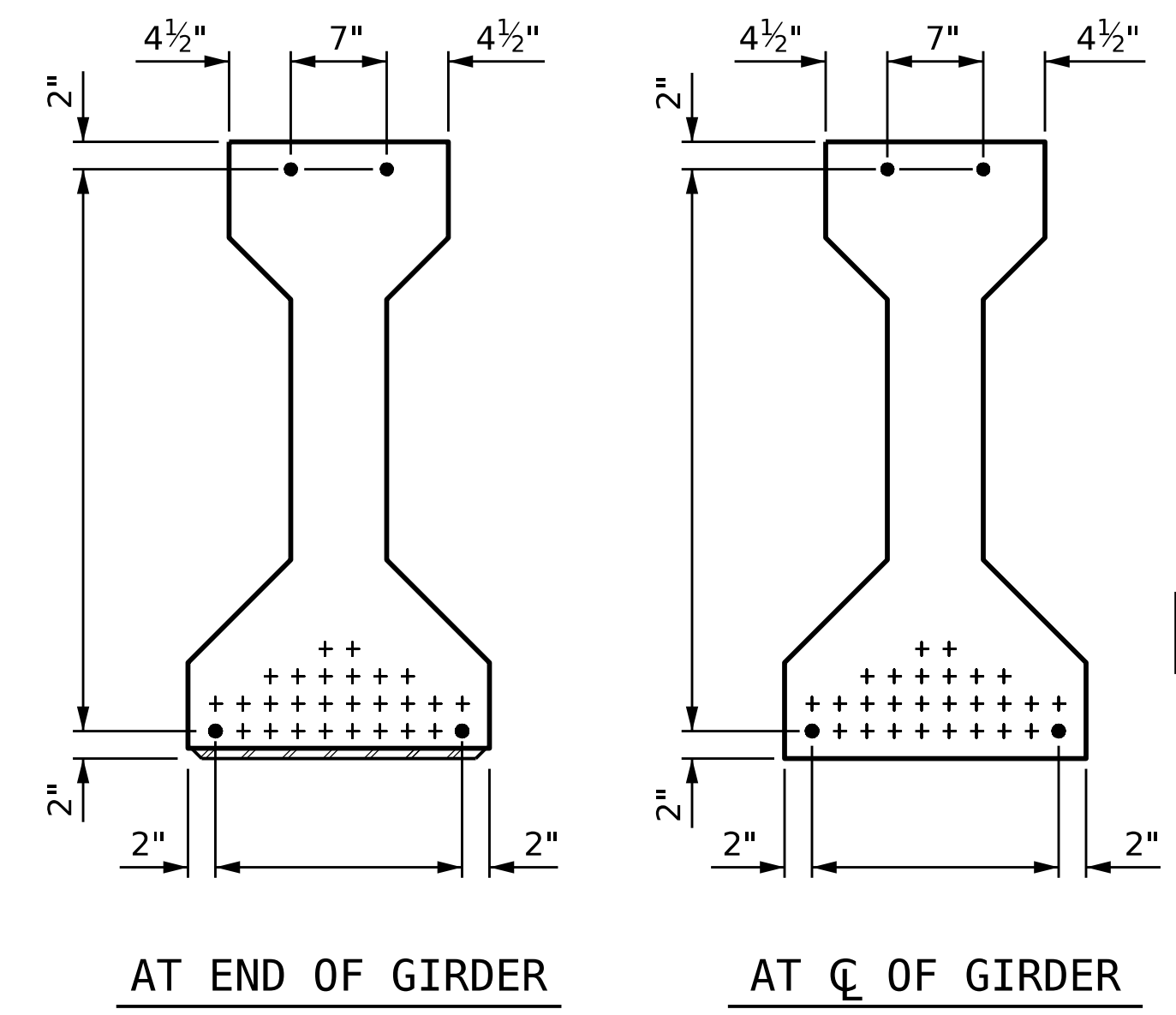
SHEET _ OF _

STATE OF NORTH CAROLINA
DEPARTMENT OF TRANSPORTATION
RALEIGH

STANDARD
**AASHTO TYPE III
PRESTRESSED CONCRETE
GIRDER - LINK SLAB**

REVISIONS				SHEET NO.
NO.	BY:	DATE:	NO.	DATE:
1			3	
2			4	

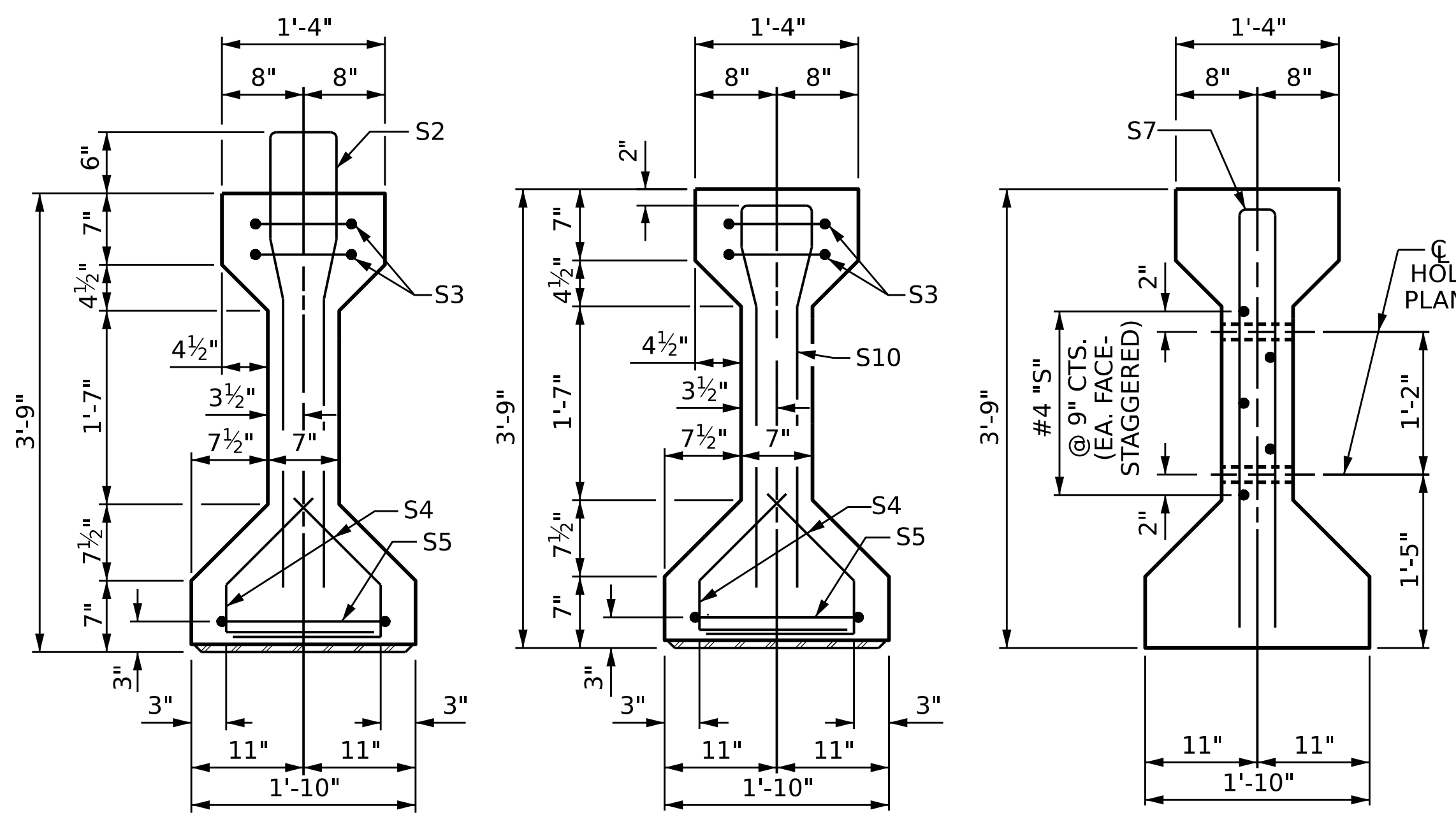
DOCUMENT NOT CONSIDERED FINAL UNLESS ALL SIGNATURES COMPLETED



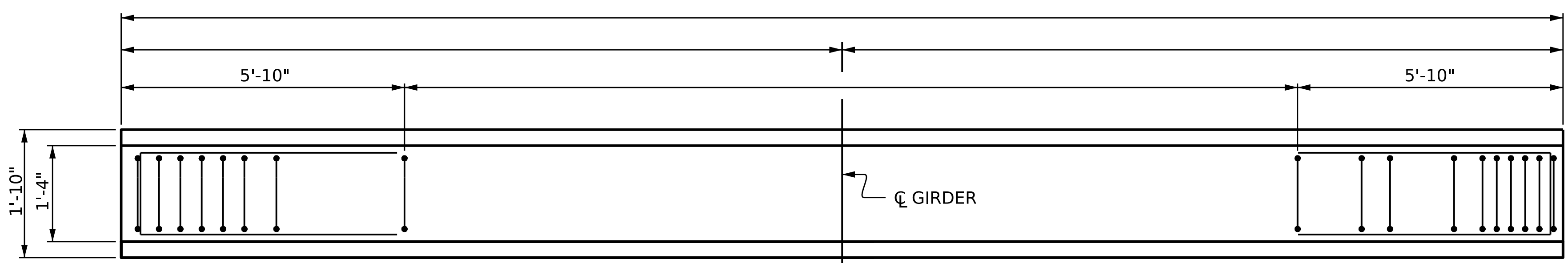
0.6" Ø LOW RELAXATION STRAND LAYOUT

DEBONDING LEGEND

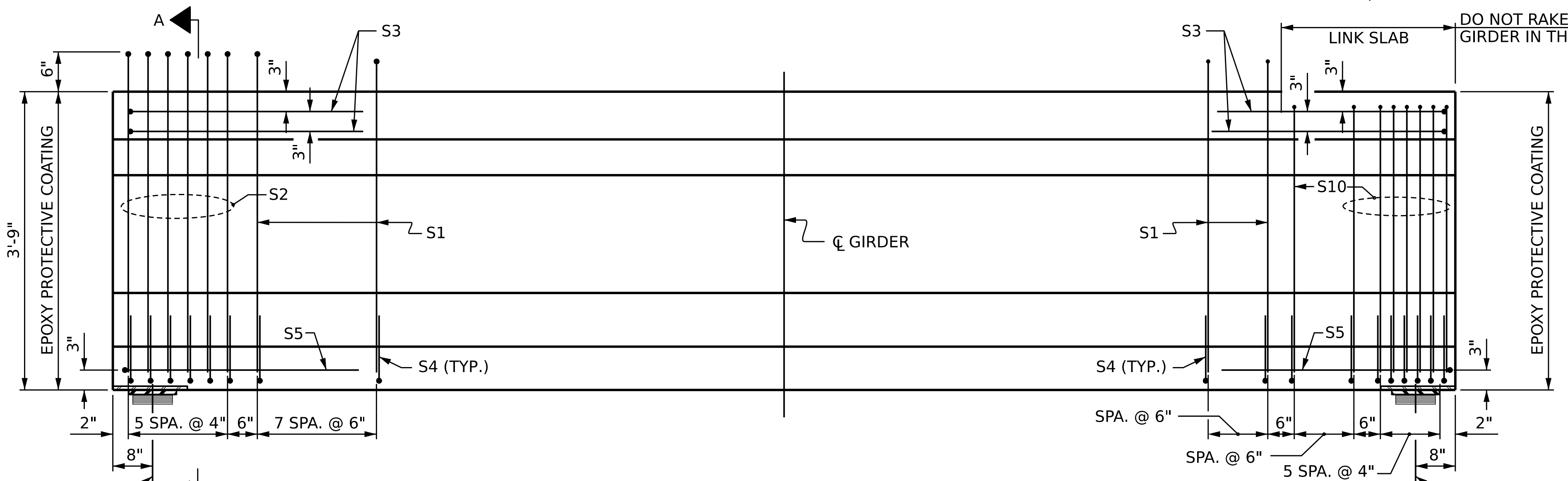
- FULLY BONDED STRANDS
- ◻ STRANDS DEBONDED FOR 4'-0" FROM END OF GIRDER
- △ STRANDS DEBONDED FOR 6'-0" FROM END OF GIRDER
- ⊙ STRANDS DEBONDED FOR 8'-0" FROM END OF GIRDER
- ◇ STRANDS DEBONDED FOR 10'-0" FROM END OF GIRDER
- ⊕ STRANDS DEBONDED FOR 12'-0" FROM END OF GIRDER



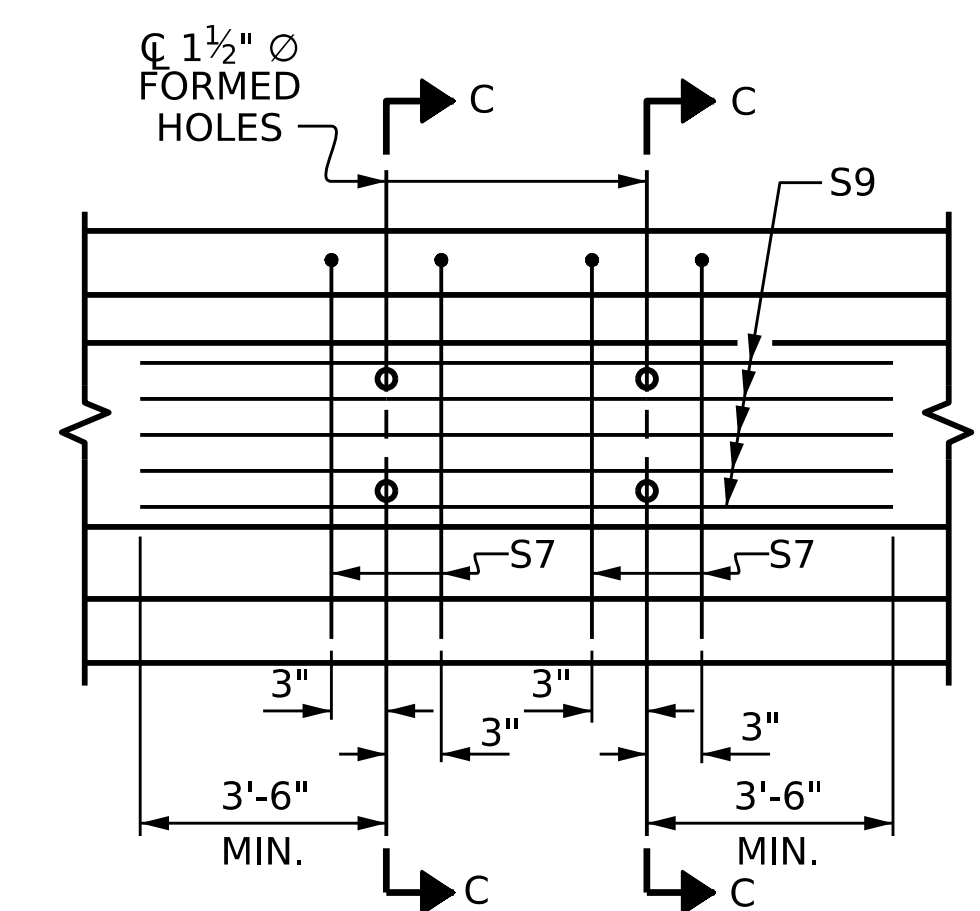
SECTION A-A SECTION B-B SECTION C-C (S1 BARS NOT SHOWN)



PLAN OF GIRDER

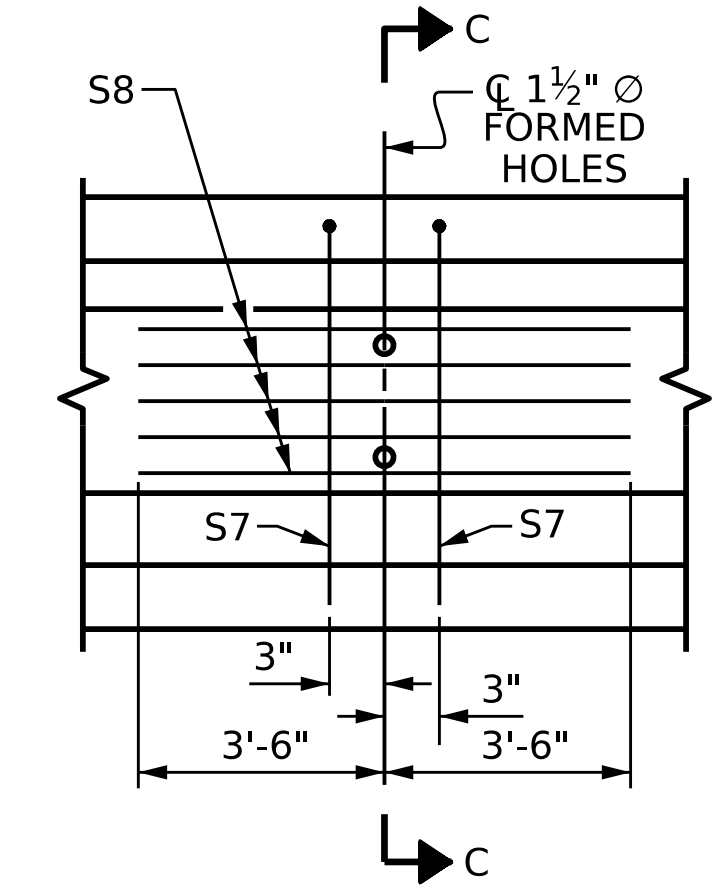


ELEVATION OF GIRDER (SEE PARTIAL ELEVATION FOR ADDITIONAL "S" BARS)



PARTIAL ELEVATION

SHOWING INTERMEDIATE DIAPHRAGM REINFORCING STEEL FOR GIRDER Nos. (FOR INTERIOR GDRS. WITH SKEW < 70° OR SKEW > 110°)



PARTIAL ELEVATION

SHOWING INTERMEDIATE DIAPHRAGM REINFORCING STEEL FOR GIRDER Nos. (FOR ALL EXTERIOR GIRDERS AND INTERIOR GIRDERS WITH 70° ≤ SKEW ≤ 110°)

ASSEMBLED BY :	DATE :
CHECKED BY :	DATE :
DRAWN BY : BNB 09/21	
CHECKED BY : AAI 09/21	